

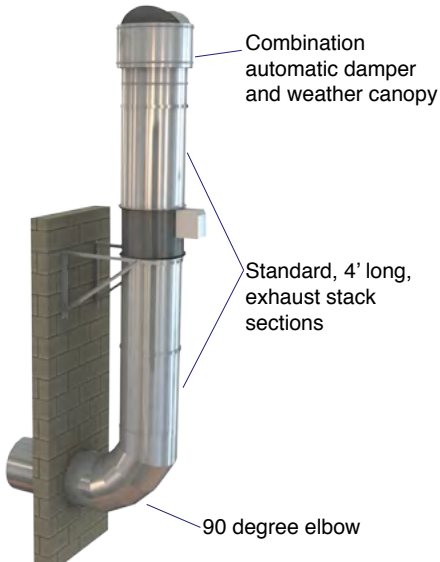
EXHAUST DUCT

Flexible Duct Design To Fit Your Exhaust Duct Requirements

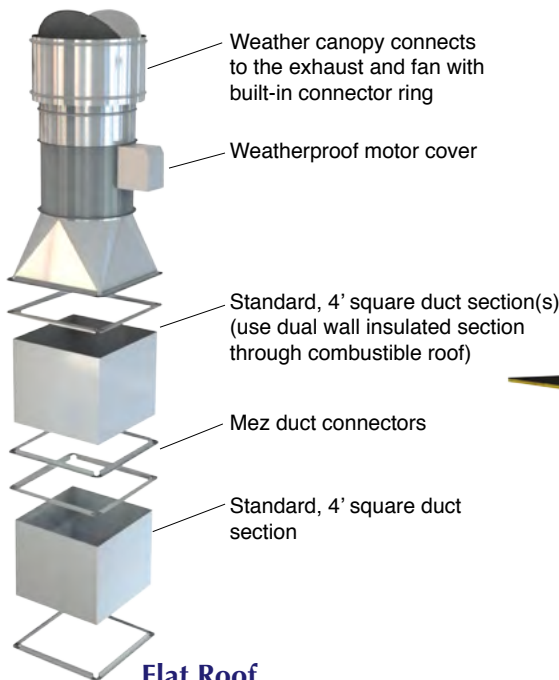
Spray Systems Exhaust Duct And Accessories

We provide all of the necessary components for exhausting your spray booths, flash tunnels, ovens and more. Complete duct options in square, round and spiral configurations are available. These options come in the following standard sizes: 6", 12", 18", 24", 34", 42" and 48" – custom sizes are available based on your size requirements. All duct components are fabricated from galvanized sheet metal for superior resistance to rust and corrosion and meet NFPA 33 booth exhaust requirements.

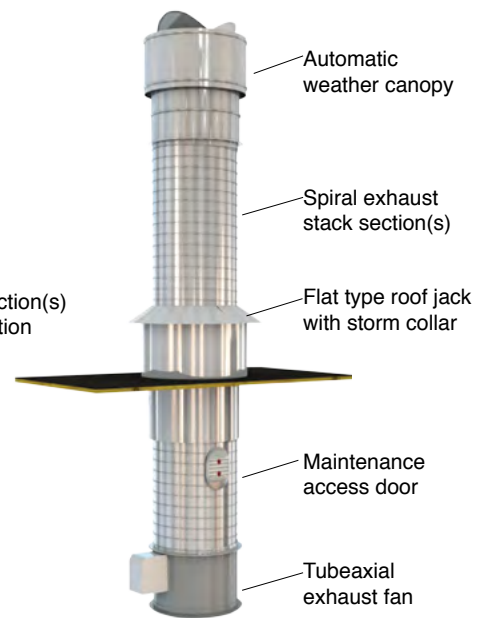
Building Side wall Vertical Discharge Exhaust



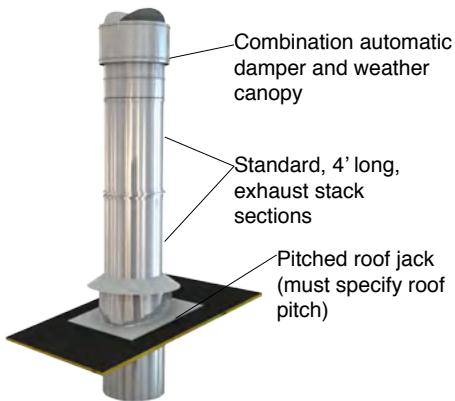
Square Exhaust Duct Exhaust Fan Roof Mounted



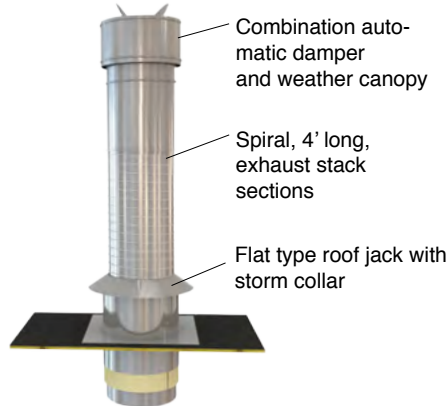
Round Exhaust Duct Exhaust Fan Booth Mounted



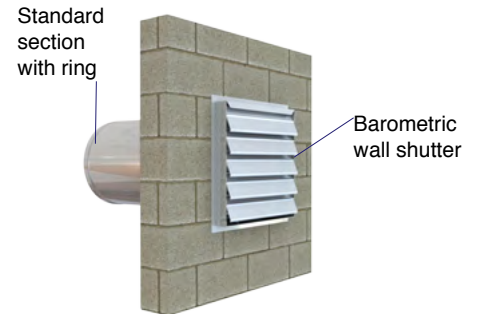
Pitched Roof



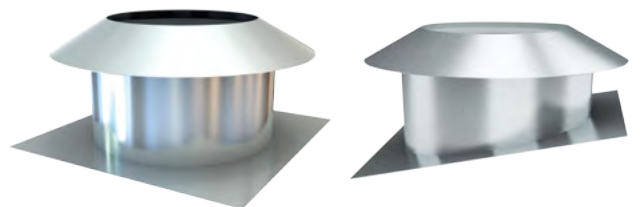
Flat Roof



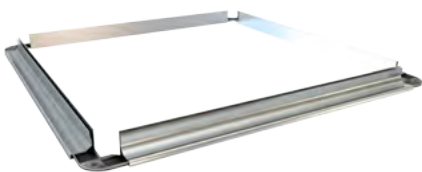
Building Sidewall with Shutter



Flat & Pitched Roof Jacks With Storm Collar



Mez Connector With Gasket and Fasteners



Angle Ring



Standard Exhaust Duct Section



Weather Cap With Butterfly Dampers



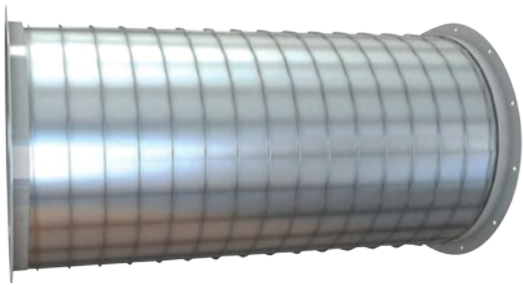
45 & 90 Degree Elbows



SQUARE DUCT

(includes mez connections as needed)

MODEL#	DESCRIPTION	SIZE	SHIPPING WT.
41-3010-24	DUAL WALL	16" x 28" x 4'	120
41-3085-24	STRAIGHT DUCT	16" x 28" x 3'	45
41-3086-24	STRAIGHT DUCT	16" x 28" x 4'	60
41-3014-45	ELBOW 45 DEGREE	16" x 28" x 45°	45
41-3014-90	ELBOW 90 DEGREE	16" x 28" x 90°	68
41-3073-24	SQ TO ROUND	16" x 28" TO 24" dia	32
41-3105-34	DUAL WALL	16" x 40" x 4'	150
41-3107-34	STRAIGHT DUCT	16" x 40" x 3'	56
41-3108-34	STRAIGHT DUCT	16" x 40" x 4'	75
41-3015-45	ELBOW 45 DEGREE	16" x 40" x 45°	56
41-3015-90	ELBOW 90 DEGREE	16" x 40" x 90°	84
41-3074-34	SQ TO ROUND	16" x 40" TO 34" dia	42
41-3011-34	DUAL WALL	28" x 28" x 4'	150
41-3087-34	STRAIGHT DUCT	28" x 28" x 3'	56
41-3088-34	STRAIGHT DUCT	28" x 28" x 4'	75
41-3016-45	ELBOW 45 DEGREE	28" x 28" x 45°	56
41-3016-90	ELBOW 90 DEGREE	28" x 28" x 90°	84
41-3075-34	SQ TO ROUND	28" x 28" TO 34 dia	42
41-3012-42	DUAL WALL	38" x 38" x 4'	200
41-3089-42	STRAIGHT DUCT	38" x 38" x 3'	76
41-3090-42	STRAIGHT DUCT	38" x 38" x 4'	101
41-3017-45	ELBOW 45 DEGREE	38" x 38" x 45°	76
41-3017-90	ELBOW 90 DEGREE	38" x 38" x 90°	114
41-3076-42	SQ TO ROUND	38" x 38" TO 42" dia	58
41-3077-00	ROOF FLASHING	SIZE: Per duct size	



SPIRAL DUCT (includes rings on each end)

MODEL#	DESCRIPTION	SIZE	SHIPPING WT.
42-3071-12	SPIRAL DUCT	12"	8 / ft
42-3071-18	SPIRAL DUCT	18"	14 / ft
42-3071-24	SPIRAL DUCT	24"	12 / ft.
42-3071-34	SPIRAL DUCT	34"	18 / ft.
42-3071-42	SPIRAL DUCT	42"	22 / ft.
42-3071-48	SPIRAL DUCT	48"	25 / ft.

ROUND DUCT

MODEL#	DESCRIPTION	SIZE	SHIPPING WT.
42-3058-10	ROUND DUCT (24 GA)	10" x 10'	53
42-3106-12	INSULATED SLEEVE	12" x 4'	50
42-3059-12	ROUND DUCT	12" x 3'	19
42-3060-12	ROUND DUCT	12" x 4'	25
42-3048-12	ROOF JACK (FLAT) & storm collar	12"	10
42-3049-12	ROOF JACK (PITCHED) & storm collar	12"	10
42-3079-12	STORM COLLAR	12"	5
42-3106-18	INSULATED SLEEVE	18" x 4'	76
42-3059-18	ROUND DUCT	18" x 3'	29
42-3060-18	ROUND DUCT	18" x 4'	38
42-3018-45	ELBOW, 45 DEGREE	18"	22
42-3018-90	ELBOW, 90 DEGREE	18"	45
42-3048-18	ROOF JACK (FLAT) & storm collar	18"	15
42-3049-18	ROOF JACK (PITCHED) & storm collar	18"	15
42-3079-18	STORM COLLAR	18"	8
42-3106-24	INSULATED SLEEVE	24" x 4'	101
42-3059-24	ROUND DUCT	24" x 3'	38
42-3060-24	ROUND DUCT	24" x 4'	50
42-3024-45	ELBOW, 45 DEGREE	24"	33
42-3024-90	ELBOW, 90 DEGREE	24"	60
42-3048-24	ROOF JACK (FLAT) & storm collar	24"	20
42-3049-24	ROOF JACK (PITCHED) & storm collar	24"	20
42-3079-24	STORM COLLAR	24"	10
42-3106-34	INSULATED SLEEVE	34" x 4'	154
42-3059-34	ROUND DUCT	34" x 3'	53
42-3060-34	ROUND DUCT	34" x 4'	72
42-3034-45	ELBOW, 45 DEGREE	34"	50
42-3034-90	ELBOW, 90 DEGREE	34"	90
42-3048-34	ROOF JACK (FLAT) & storm collar	34"	30
42-3049-34	ROOF JACK (PITCHED) & storm collar	34"	30
42-3079-34	STORM COLLAR	34"	15
42-3106-42	INSULATED- SLEEVE	42" x 4'	166
42-3059-42	ROUND DUCT	42" x 3'	66
42-3060-42	ROUND DUCT	42" x 4'	88
42-3042-45	ELBOW, 45 DEGREE	42"	75
42-3042-90	ELBOW, 90 DEGREE	42"	143
42-3048-42	ROOF JACK (FLAT)& storm collar	42"	45
42-3049-42	ROOF JACK (PITCHED) & storm collar	42"	45
42-3079-42	STORM COLLAR	42"	20

DUCT COMPONENTS

MODEL#	DESCRIPTION	SIZE	SHIPPING WT.
43-3001-00	GUY WIRE KIT	25"	3
43-3002-12	ANGLE RING	12"	4
43-3002-18	ANGLE RING	18"	6
43-3002-24	ANGLE RING	24"	8
43-3002-34	ANGLE RING	34"	15
43-3002-42	ANGLE RING	42"	22
43-3002-48	ANGLE RING	48"	25
42-3006-00	CLEAN OUT DOOR, CURVED	8" x 12"	5
41-3007-00	CLEAN OUT DOOR, FLAT	8" x 12"	5
42-3006-01	CLEAN OUT DOOR, CURVED	12" x 16"	7
41-3007-01	CLEAN OUT DOOR, FLAT	12" x 16"	7
43-3027-24	MEZ CONNECTOR (SET)	16" x 28"	5
43-3028-34	MEZ CONNECTOR (SET)	16" x 43"	6
43-3029-34	MEZ CONNECTOR (SET)	28" x 28"	6
43-3030-42	MEZ CONNECTOR (SET)	38" x 38"	8
43-3104-00	MOTOR COVER (FITS UP TO 7.5)		10
43-3092-10	REAR EXHAUST KIT		35
43-3092-18	SHUTTER	18"	10
43-3092-24	SHUTTER	24"	10
43-3092-34	SHUTTER	34"	20
43-3092-42	SHUTTER	42"	23
43-3097-08	VENT, ALL PURPOSE RD	8"	4
43-3097-10	VENT, ALL PURPOSE RD	10"	8
43-3098-10	VENT, CHINA CAP	10"	12
43-3099-12	VENT, ALL PURPOSE RD	12"	15
43-3098-12	VENT, CHINA CAP	12"	15
43-3100-12	VENT, ROOF JACK	12"	10
43-3091-18	WEATHER CAP	18"	33
43-3091-24	WEATHER CAP	24"	52
43-3091-34	WEATHER CAP	34"	65
43-3091-42	WEATHER CAP	42"	85