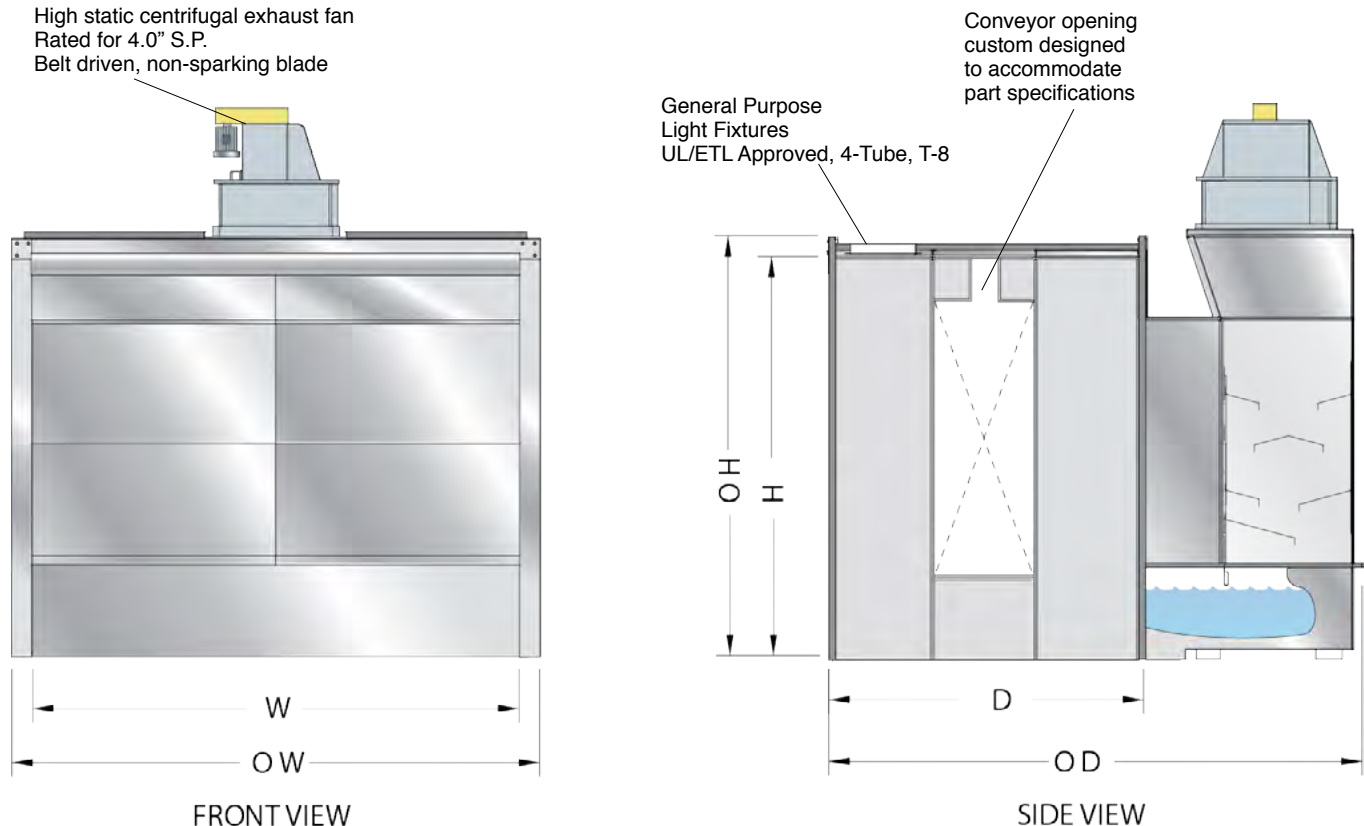


Pumpless Type Water Wash Booths Conveyorized



The pumpless collection pan and back sections are fabricated from heavy 12 and 14 gauge galvanized steel. This feature allows our booths to resist corrosion, allowing your booth to last longer. The pumpless water wash booth uses a centrifugal high static exhaust blower, which combined with our unique baffle design creates extreme water turbulence. This turbulence causes the paint particles to be entrained in the water, which then is concentrated in the main sludge collecting area. The short depth of the eliminator section maximizes your shop's floor space.

The water wash requires chemical treatment, which causes the paint particles to coagulate and sink to the bottom of the collecting pan for removal. Spray Systems recommends that you consult a reputable chemical supplier for the proper compound to suit the material being sprayed.

PACKAGE FEATURES & BENEFITS

- **CNC and CAD Technology**—panels are manufactured of premium 18 gauge G-90 galvanized steel, and are precision-punched on six inch centers, allowing for easy nut and bolt assembly, and exploded view assembly drawings supplied
- **Quiet Exhaust Fan**—typically operates at low dBA noise levels, below OSHA limits
- **High Efficiency Motor**—tri voltage, TEFC, motors that match the high efficiency performance of the exhaust fan
- **Lighting**—high efficiency lighting fixtures designed for mounting outside booth, industrial rated, four-tube (T-8) fluorescent fixtures with dust-tight seals and are UL/ETL listed
- **UL Listed**—all electrical components and latching devices are UL/ETL listed
- **Essential Accessories**—all necessary caulking, nuts, bolts, and hardware for proper booth installation

Pumpless Type Water Wash Booths

8' High Pumpless-Type Conveyorized Water Wash Booth Models

(120 FPM Average Face Velocity meeting minimum NFPA-33 Code Requirements)

Model Number	Work Dimensions			Overall Dimensions			Exhaust Blower Size	Motor H.P.	Airflow SCFM @ 4" S.P.	Light Fixture (Qty)	Shipping Weight Lbs
	W	H	D	O W	O H	O D					
WNP-585-C	5'-0"	7'-9"	5'-0"	5'-4"	8'-1"	12'-0"	20"	5	4800	1	2400
WNP-887-C	7'-6"	7'-9"	7'-6"	7'-10"	8'-1"	12'-0"	22"	10	7700	1	3350
WNP-1087-C	9'-6"	7'-9"	7'-6"	9'-10"	8'-1"	12'-0"	24"	15	9600	2	3975
WNP-1287-C	12'-0"	7'-9"	7'-6"	13'-0"	8'-3"	12'-0"	26"	15	11500	2	4955
WNP-1487-C	14'-0"	7'-9"	7'-6"	15'-0"	8'-3"	12'-0"	30"	15	13500	2	5600
WNP-1687-C	16'-0"	7'-9"	7'-6"	17'-4"	8'-5"	12'-0"	30"	20	15400	4	5965
WNP-1887-C	18'-0"	7'-9"	7'-6"	19'-4"	8'-5"	12'-0"	30"	25	17300	4	7325
WNP-2087-C	20'-0"	7'-9"	7'-6"	22'-0"	9'-0"	12'-0"	30"	30	19200	6	8100

10' High Pumpless-Type Conveyorized Water Wash Booth Models

(120 FPM Average Face Velocity meeting minimum NFPA-33 Code Requirements)

Model Number	Work Dimensions			Overall Dimensions			Exhaust Blower Size	Motor H.P.	Airflow SCFM @ 4" S.P.	Light Fixture (Qty)	Shipping Weight Lbs
	W	H	D	O W	O H	O D					
WNP-8107-C	7'-6"	9'-9"	7'-6"	7'-11"	10'-1"	12'-6"	24"	15	9600	1	3775
WNP-10107-C	9'-6"	9'-9"	7'-6"	9'-11"	10'-1"	12'-6"	26"	15	12000	2	4350
WNP-12107-C	12'-0"	9'-9"	7'-6"	13'-0"	10'-3"	12'-6"	30"	20	14400	2	5180
WNP-14107-C	14'-0"	9'-9"	7'-6"	15'-0"	10'-3"	12'-6"	30"	25	16800	2	5675
WNP-16107-C	16'-0"	9'-9"	7'-6"	17'-4"	10'-5"	12'-6"	30"	30	19200	4	6175
WNP-18107-C	18'-0"	9'-9"	7'-6"	19'-4"	10'-5"	12'-6"	30"	40	21600	4	7600
WNP-20107-C	20'-0"	9'-9"	7'-6"	22'-0"	10'-9"	12'-6"	32"	40	24000	6	8100

12' High Pumpless-Type Conveyorized Water Wash Booth Models

(120 FPM Average Face Velocity meeting minimum NFPA-33 Code Requirements)

Model Number	Work Dimensions			Overall Dimensions			Exhaust Blower Size	Motor H.P.	Airflow SCFM @ 4" S.P.	Light Fixture (Qty)	Shipping Weight Lbs
	W	H	D	O W	O H	O D					
WNP-8127-C	7'-6"	11'-9"	7'-6"	8'-2"	12'-1"	13'-0"	26"	15	11500	1	4175
WNP-10127-C	9'-6"	11'-9"	7'-6"	11'-6"	12'-1"	12'-6"	30"	15	13200	2	4850
WNP-12127-C	12'-0"	11'-9"	7'-6"	13'-6"	12'-3"	13'-0"	30"	25	17300	2	5780
WNP-14127-C	14'-0"	11'-9"	7'-6"	15'-6"	12'-3"	13'-0"	30"	30	20000	2	6375
WNP-16127-C	16'-0"	11'-9"	7'-6"	17'-6"	12'-5"	13'-0"	32"	40	23000	4	6975
WNP-18127-C	18'-0"	11'-9"	7'-6"	19'-6"	12'-5"	13'-0"	32"	40	26000	4	8500
WNP-20127-C	20'-0"	11'-9"	7'-6"	21'-6"	12'-9"	13'-0"	32"	50	28800	6	9100

OPTIONS / ACCESSORIES

- Access Doors
- Air Make-up Units
- Air Solenoid Valves
- Control Panels
- Constant Velocity Controls
- Energy savings stand-by/idle mode
- Exhaust Stack Components
- Front Filter Doors
- Heaters / Infrared
- Lighting
- Magnahelic Gauges
- Observation Windows
- Pressurized Air Supply Plenums
- Centrifuge
- Stainless Steel Wash Chamber